



Data Sheet

U-BRS-VIS Fixing Screw

COMPOSITION

U-BRS VIS is made up of one piece.

CHARACTERISTICS

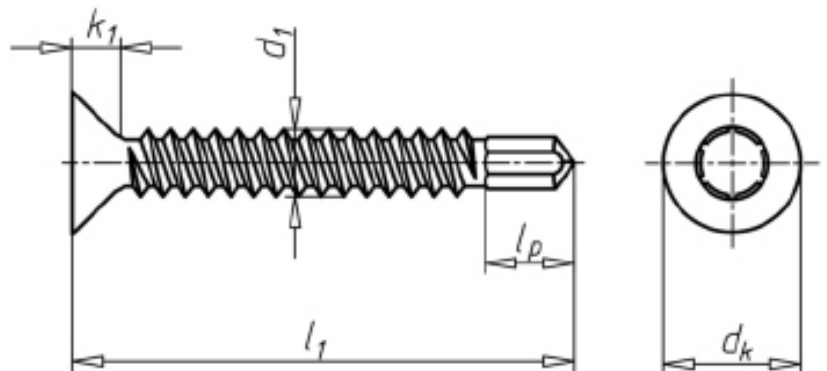
Weight: 0.0016 kg
Nominal diameter (d): 3.9 mm
Length (L): 25 mm
k: 2.8 mm
Dk: 7.5 mm
Lp: 3.1 mm
AW: AW20

MATERIAL

Stainless steel A2

PACKAGING

Qty per box: 1000 pcs
Box weight: 1.81 kg
Box dimensions: 100 x 90 x 90 mm



APPLICATIONS

This screw enables various U-BRS system accessories to be fixed, as well as aluminium joists.

SAFETY INSTRUCTIONS

Buzon pedestals and accessories are designed to support raised floors for pedestrians only. They cannot support or be subjected to moving or vibrating machines and equipment. This includes cars, maintenance vehicles and other similar equipment.